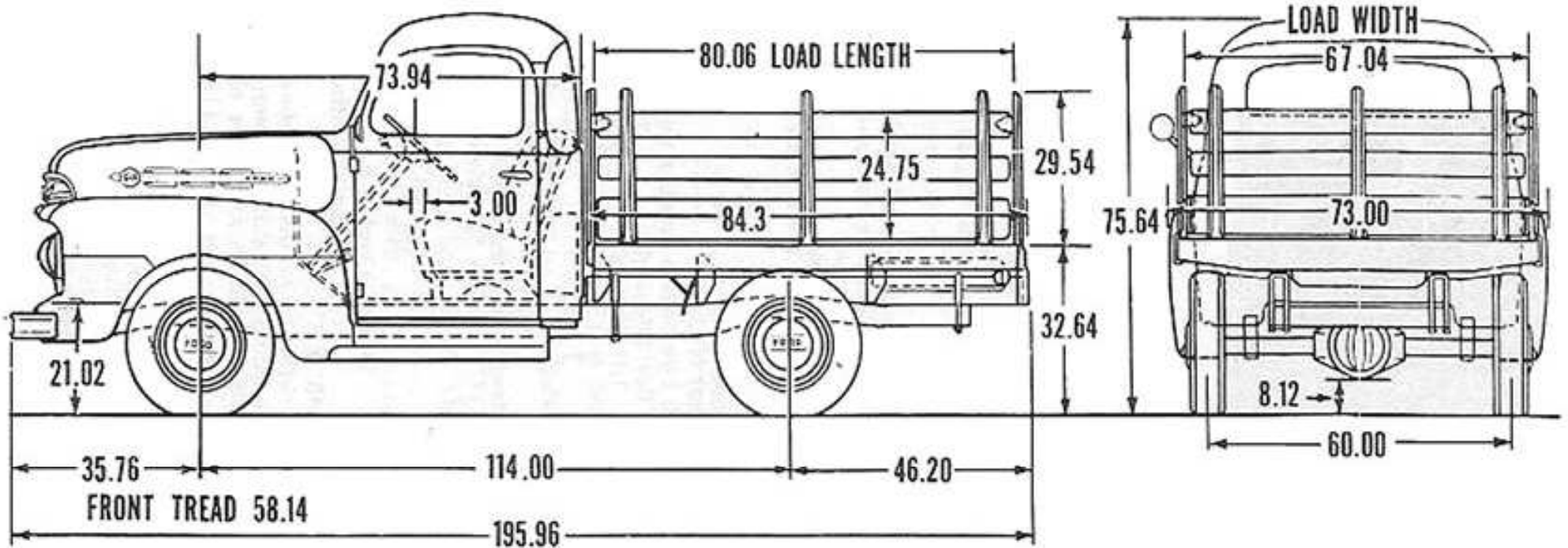


6½-Ft. PLATFORM AND STAKE



ALL DIMENSIONS WITH 6.50—16 6-P.R. TIRES (LOADED)