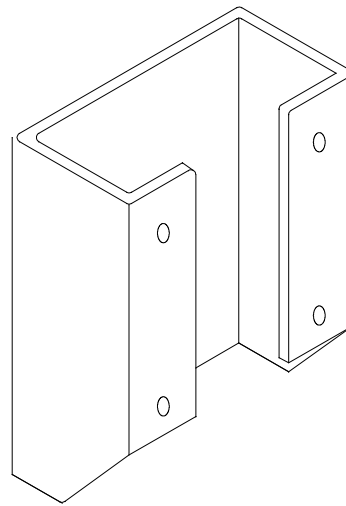
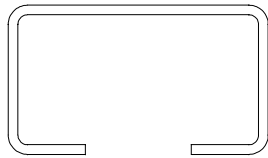


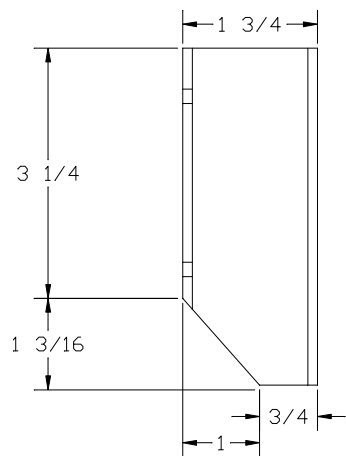
5

# SIDE AND BACK STAKE POCKET LINERS

TOP  
VIEW



SIDE  
VIEW



FRONT  
VIEW

