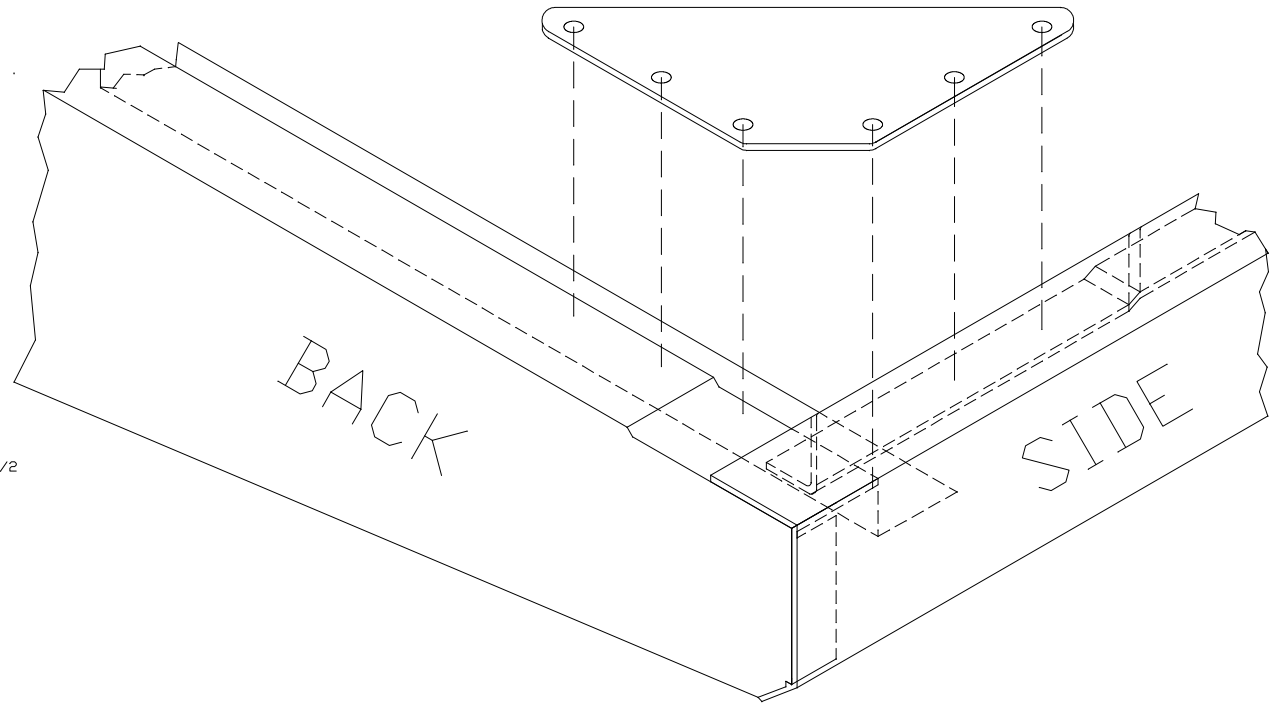
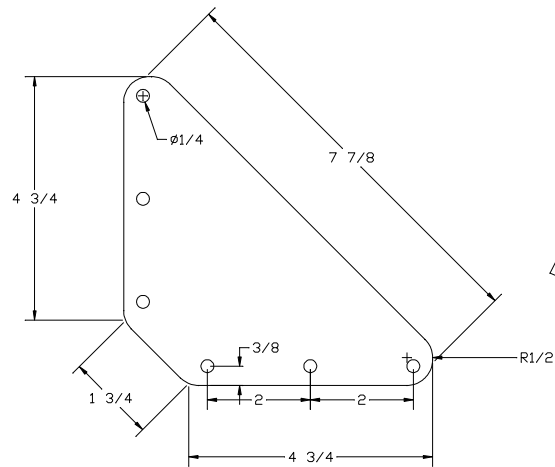


9

# BED CORNER GUSSET



BED GUSSET-  
RIVETED TO TOP OF  
LIP OF THE BED IN  
EACH CORNER